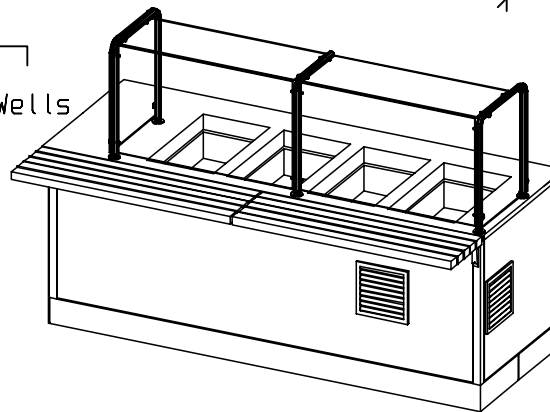
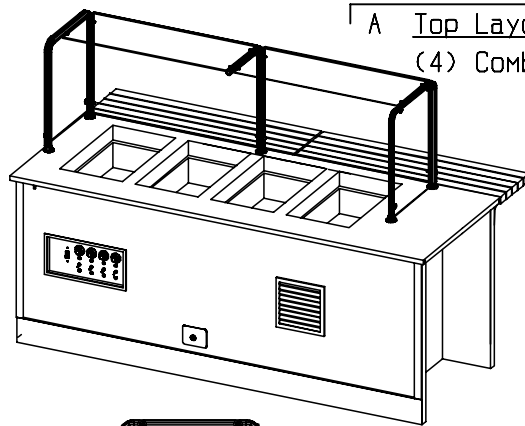
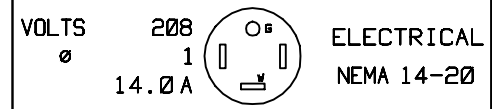
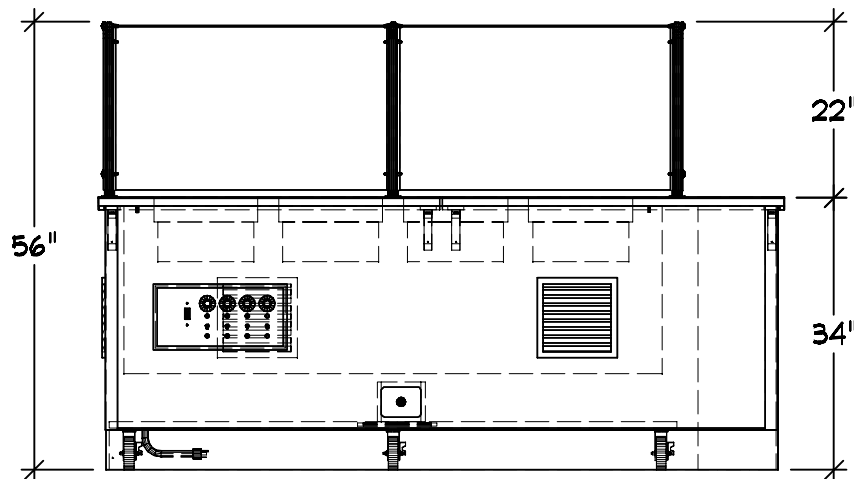
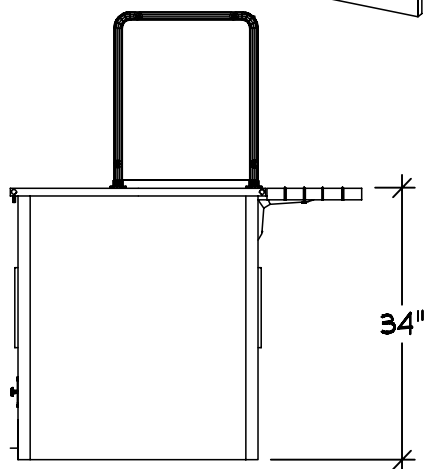


- Server 1 | Qty 1
- Utility Counter
- A Custom Configuration
- B Custom Counter Depth
- C Line Up Locks
- D 4" Casters (2) w/Brakes
- E Customer Side V Rib Tray Slide w/Lift-off Brackets, Continuous Surface Height
- F Custom 30" Tray Rail Mounting Height
- G (1) 1 1/2" Drain With Ball Valve
- H SST Skirting All Sides
- I Power Pole Pocket Operator RH End
- J Contemporary Breath Guard
- NSF Single Side Cafeteria With Top Shelf
- Full Width S-S
- 1" SST Tubular Construction
- 2" Dia Mounting Flanges
- 3/8" Tempered Glass
- End Panels Both Sides

A Top Layout Operator L-R
(4) Combination Hot/Cold Wells



- Finishes And Materials
- Top : ** 14 Ga SST
 - Body : Laminate TBD
 - Trim : 18 Ga SST
 - Tray Rail : ** 14 Ga SST
 - Breath Grd : Brushed SST
 - Skirt : 18 Ga SST



PLUMBING CW: -
HW: -
WASTE: (1) Ø.5" INDIRECT

HOKOH

HOKOHKAM ES



06-28-21
COPYRIGHT 2021
SHEBOYGAN, WI

THE VOLLRATH CO., LLC